

## IMAGES, DRAWINGS



**Mounting Stud**

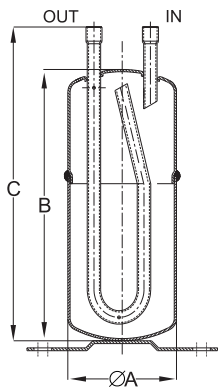
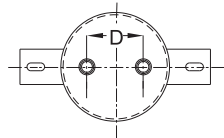


**Mounting Flange**

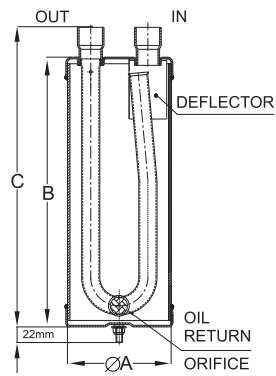
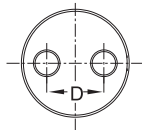


**Accumulator with Heat Exchanger**

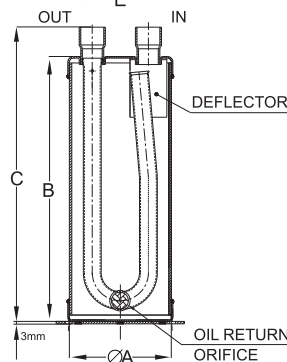
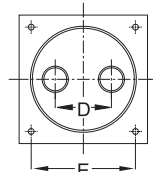
### DIMENSIONAL DATA



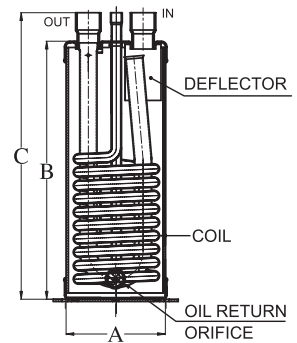
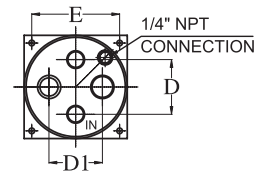
**DRAWING - 1**



**DRAWING - 2**



**DRAWING - 3**



**DRAWING - 4**

# SUCTION LINE ACCUMULATOR

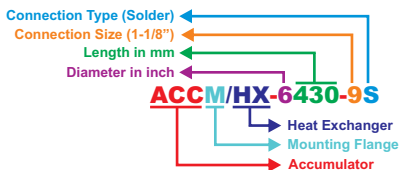
MODEL AVAILABLE &

SELECTION RECOMMENDATION



SR NO	MODEL	HOLDING CAPACITY at +40°F		APPROX. MAX. TON. R-410A AT + 40°F (EVAPORATING TEMP)	CONNECTION SIZE (inch)	DIMENSIONS										MOUNTING OPTIONS	REFER DRG. NO.	1/4" NPT connection							
		R-410A LIQUID LBS	R-410A LIQUID KG			ØA		B		C		D		E											
						mm	inch	mm	inch	mm	inch	mm	inch	mm	inch										
<b>SERIES - Ø 3"</b>																									
1	ACC-3150-3S	1.1	0.50	0.5	3/8" ODF	76.2	3	150	5.91	187	7.36	40	1.57	122.5	4.82	MOUNTING FLANGE	1	NA							
2	ACC-3185-4S	1.5	0.68	0.94	1/2" ODF			185	7.28	223	8.78														
3	ACC-3239-5S	2	0.91	2.1	5/8" ODF			239	9.41	277	10.91			41	1.65	NA	NA		M8 X 1.25PITCH	2					
4	ACC-3349-6S	2.8	1.27	3.15	3/4" ODF			349	13.74	387	15.24														
5	ACC-3370-4S	3	1.36	0.94	1/2" ODF			370	14.57	408	16.06														
<b>SERIES - Ø 4"</b>																									
6	ACC-4254-5S	3.53	1.6	2.1	5/8" ODF	101.6	4	254	10	290	11.41	48	1.89	NA	NA	M10 X 1.5 PITCH	2	NA							
7	ACC-4254-4S			0.94	1/2" ODF																				
<b>SERIES - Ø 5"</b>																									
8	ACC-5216-7S	5	2.26	4.2	7/8" ODF	127	5	216	8.51	253.5	9.98	70	2.76	NA	NA	M10 X 1.5 PITCH	2	NA							
9	ACC-5216-6S	5	2.26	3.15	3/4" ODF					252	9.92			NA	NA	M10 X 1.5 PITCH	3								
10	ACCM-5216-7S	5	2.26	4.2	7/8" ODF					253.5	9.98			130	5.12	MOUNTING FLANGE	2								
11	ACC-5330-7S	7.5	3.40	4.2	7/8" ODF					330	12.99			367.5	14.46	130	5.12		MOUNTING FLANGE	3					
12	ACCM-5330-7S				7/8" ODF											NA	NA		M10 X 1.5 PITCH	2					
13	ACC-5330-9S	7.5	3.40	9.45	1-1/8" ODF					430	16.93			467.5	18.41	130	5.12		MOUNTING FLANGE	3					
14	ACCM-5330-9S							1-1/8" ODF	NA			NA	M10 X 1.5 PITCH			2									
15	ACC-5430-9S	10	4.54	9.45	1-3/8" ODF			430	16.93	474.5	18.68	130	5.12	MOUNTING FLANGE	3										
16	ACCM-5430-9S											1-3/8" ODF	NA	NA	M10 X 1.5 PITCH	2									
17	ACC-5430-11S	10	4.54	17.8	1-3/8" ODF			430	16.93	474.5	18.68	130	5.12	MOUNTING FLANGE	2										
18	ACCM-5430-11S											1-3/8" ODF	130	5.12	MOUNTING FLANGE	3									
<b>SERIES - Ø 6"</b>																									
19	ACC-6330-7S	11	4.99	4.2	7/8" ODF			152.4	6	330	12.99	366.5	14.43	70	2.76	NA	NA		M10 X 1.5 PITCH	2	NA				
20	ACCM-6330-7S															7/8" ODF	130		5.12	MOUNTING FLANG		3			
21	ACC-6330-9S	11	4.99	9.45	1-1/8" ODF											430	16.93		466.5	18.36		130	5.12	MOUNTING FLANGE	2
22	ACCM-6330-9S																					1-1/8" ODF	NA	NA	M10 X 1.5 PITCH
23	ACC-6430-7S	14.5	6.58	4.2	7/8" ODF											430	16.93		466.5	18.36		130	5.12	MOUNTING FLANG	3
24	ACCM-6430-7S																					7/8" ODF	NA	NA	M10 X 1.5 PITCH
25	ACC-6430-9S	14.5	6.58	9.45	1"- 1/8 ODF	430	16.93			473.5	18.64	130	5.12	MOUNTING FLANG	3										
26	ACCM-6430-9S											1"- 1/8 ODF	NA	NA	M10 X 1.5 PITCH	2									
27	ACC-6430-11S	14.5	6.58	17.8	1-3/8" ODF	430	16.93			473.5	18.64	130	5.12	MOUNTING FLANG	3										
28	ACCM-6430-11S											1-3/8" ODF	NA	NA	M10 X 1.5 PITCH	2									
29	ACC-6430-13S	14.5	6.58	29.4	1"-5/8 ODF	430	16.93			489	19.25	130	5.12	MOUNTING FLANG	3										
30	ACCM-6430-13S											1"-5/8 ODF	NA	NA	M10 X 1.5 PITCH	2									
<b>SERIES - ACCHX (HEAT EXCHANGER ACCUMULATOR)</b>																									
1	ACCHX-6430-9S	14.5	6.58	9.45	1-1/8" ODF	152.4	6			430	16.93	466.5	18.37	D&D1 70	D&D1 2.76	130	5.12	MOUNTING FLANG	4	AVAILABLE					

- 1) MOUNTING FLANGE SHOWN AS 'M' IN MODEL NUMBER, WITH 4 HOLES OF Ø7MM AVAILABLE ON CUSTOMER REQUEST AS SHOWN IN DRAWING - 3
- 2) FOR HOLDING CAPACITY OF R-134A, MULTIPLY R-410A CAPACITY BY 1.11 FOR R-22, MULTIPLY R-410A CAPACITY BY 1.09 & FOR R-404A, MULTIPLY R-410A CAPACITY BY 0.98
- 3) THE REFRIGERANT HOLDING CAPACITY OF DRY ALL ACCUMULATOR IS BASED ON AVERAGE CONDITION OF MORE THAN 50% FILL UNDER RUNNING CONDITION
- 4) WHEN SELECTING OR SIZING AN ACCUMULATOR CONNECTIONS MAY NOT NECESSARILY MATCH THE SUCTION LINE SIZE
- 5) MAXIMUM WORKING PRESSURE - 25BAR (355PSIG) APPROX..
- 6) FUSIBLE PLUG AVAILABLE ON SPECIFIC MODELS



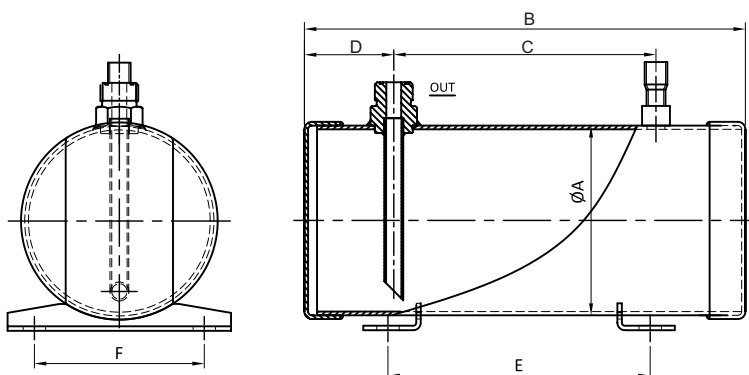
# LIQUID REFRIGERANT RECEIVER (HORIZONTAL)



IMAGE, DRAWING & MODEL AVAILABLE



## DIMENSIONAL DATA

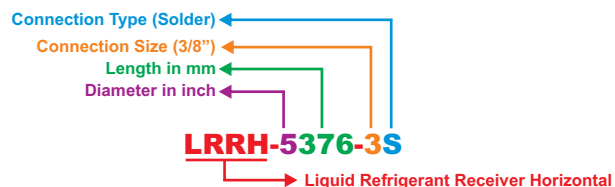


SR.NO	MODEL NO.	INTERNAL VOLUME (CAPACITY) LITERS	PUMP DOWN CAPACITY (Kg)	SUGGESTED CONNECTION SIZES		DIMENSIONS										MOUNTING OPTIONS	REFER DRAWING NO.	1/4" NPT CONNECTION		
						ØA		B		C		D		E					F	
						mm	inch	mm	inch	mm	inch	mm	inch	mm	inch				mm	inch

### SERIES 1 (SIDE INLET & OUTLET)

1	LRRH - 5296-3S	3.3	3.44	3/8" ODF	1"-14 UNS	127	5	296	11.66	176	6.93	60	2.36	176	6.93	114	4.48	MOUNTING BRACKET WITH Ø15mm HOLES X 4nos.	H1	CR
2	LRRH - 5376-3S	4.29	4.4					376	14.81	256	10.08			256	10.08					
3	LRRH - 5456-3S	5.21	5.34					456	17.96	336	13.23			336	13.23					
4	LRRH - 5536-3S	6.14	6.3					536	21.11	416	16.37			416	16.37					
5	LRRH - 5566-4S	6.49	6.65					566	21.88	436	17.16			436	17.16					
6	LRRH - 6465-4S	7.48	7.67	1/2" ODF	1"-14 UNS	152.4	6	465	18.31	345	13.58	345	13.58	140	5.53					
7	LRRH - 6526-4S	8.47	8.7					526	21.71	406	15.98	406	15.98							
8	LRRH - 6587-4S	9.4	9.71					587	23.12	467	18.38	467	18.38							
9	LRRH - 6648-5S	10.47	10.74	5/8" ODF	1-1/4"-12 UNF	152.4	6	648	25.52	528	20.78	528	20.78	140	5.53					
10	LRRH - 6709-5S	11.47	11.77					709	27.92	589	23.18	589	23.18							
11	LRRH - 6770-5S	12.47	12.8					770	30.32	650	25.59	650	25.59							
12	LRRH - 6800-5S	12.96	13.3					800	31.49	680	26.77	680	26.77							

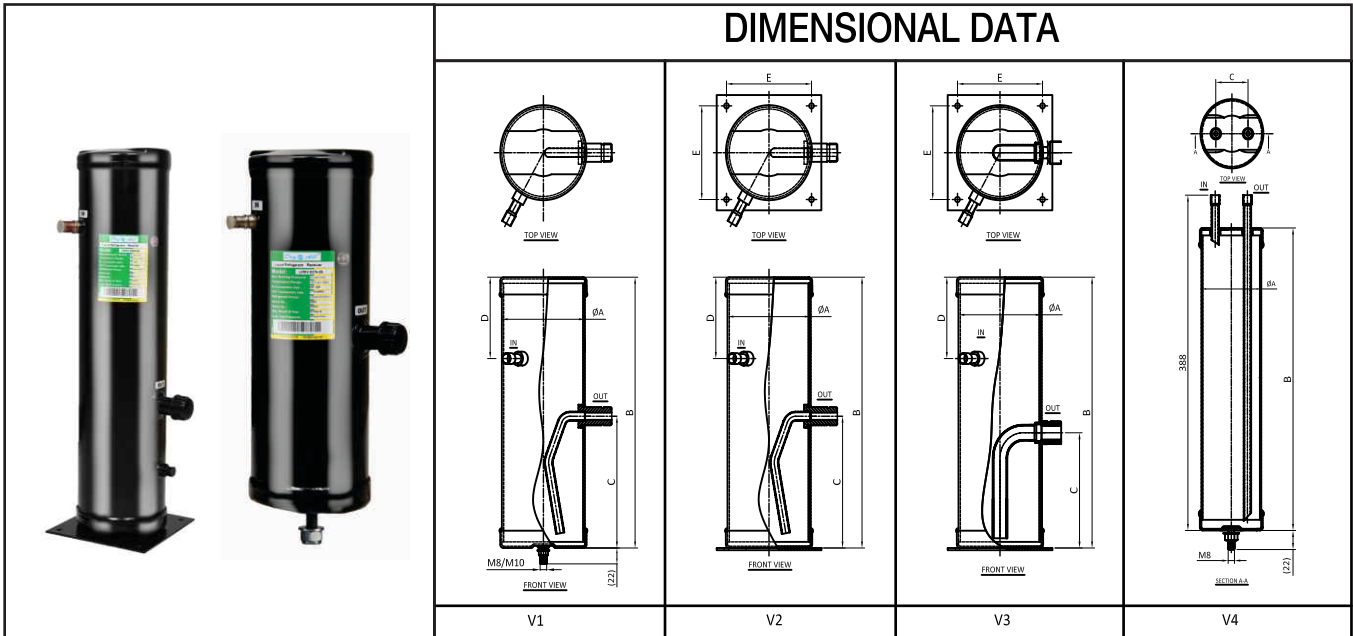
RECEIVER WITH NPT CONNECTION ARE ALSO PROVIDED AS PER CUSTOMER REQUIREMENT



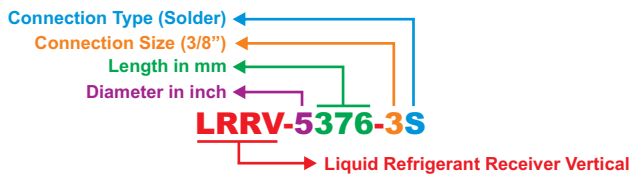
# LIQUID REFRIGERANT RECEIVER (VERTICAL)



IMAGES, DRAWINGS & MODELS AVAILABLE



SERIES 1 (SHELL INLET & SIDE OUTLET)																		
SR NO	MODEL NO.	INTERNAL VOLUME (CAPACITY) LITERS	PUMP DOWN CAPACITY (KG)	CONNECTION SIZES		DIMENSIONS								MOUNTING OPTION	REFER DRAWING NO	LIQUID INDICATOR		
				INLET	OUTLET	ØA		B		C		D					E	
						mm	inch	mm	inch	mm	inch	mm	inch	mm	inch			
1	LRRV-3482-3S	2	1.704	3/8" ODF (STEEL)	1"-14 UNS	76.2	3	482	18.97	175	6.88	80	3.14	NA	NA	M8 X 1.25 BOLT & NUT	V1	NA
2	LRRV-5296-3S	3.3	3.44			296	11.65	60	2.36	NA	NA							
3	LRRV-5376-3S	4.29	4.4			376	14.81	74	2.91	NA	NA							
4	LRRV-5456-3S	5.21	5.34			456	17.96	183	7.20	86	3.38							
5	LRRV-5536-4S	6.14	6.3	1/2" ODF (STEEL)	1"-14 UNS	127	5	536	21.11	160	6.29	106	4.17	130	5.12	MOUNTING FLANGE	V2	CR
6	LRRV-5566-4S	6.49	6.65					566	22.28			111	4.37					
7	LRRV-6465-4S	7.48	7.67					465	18.31			93	3.66					
8	LRRV-6526-4S	8.47	8.7					526	20.71			106	4.17					
9	LRRV-6587-4S	9.4	9.71	5/8" ODF (STEEL)	1-1/4"-12 UNF	152.4	6	587	23.12	160	6.29	117	4.60	130	5.12	MOUNTING FLANGE	V3	CR
10	LRRV-6648-5S	10.47	10.74					648	25.52			128	5.03					
11	LRRV-6709-5S	11.47	11.77					709	27.92			139	5.47					
12	LRRV-6770-5S	12.47	12.8					770	30.32			150	5.90					
13	LRRV-6800-5S	12.96	13.3			800	31.49			160	6.29							
SERIES 2 (TOP DISH INLET & OUTLET)																		
1	LRRV-3350-3S	1.4	1.43	3/8" ODF (COPPER)	3/8" ODF (COPPER)	76.2	3	350	13.78	41	1.62	NA	NA	NA	NA	M8 X 1.25 BOLT & NUT	V4	NA



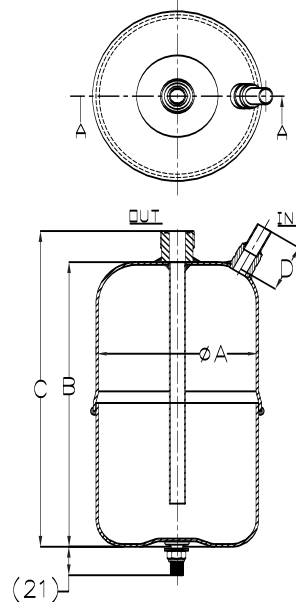
# LIQUID REFRIGERANT RECEIVER (DEEP DRAW TYPE)



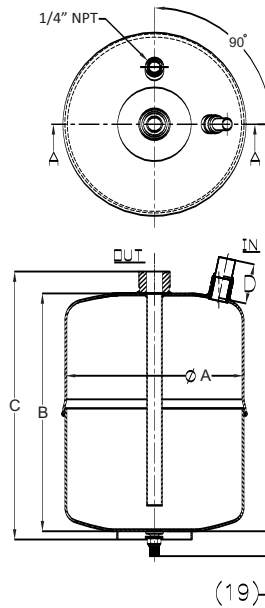
IMAGE, DRAWINGS & MODELS AVAILABLE



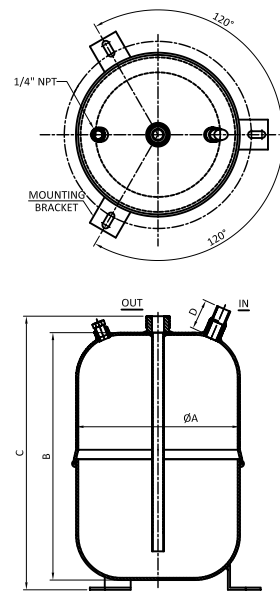
## DIMENSIONAL DATA



DRAWING-1



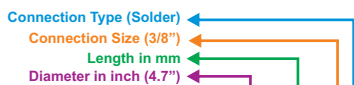
DRAWING-2



DRAWING-3

### LIQUID REFRIGERANT DEEP DRAWN TYPE RECEIVERS

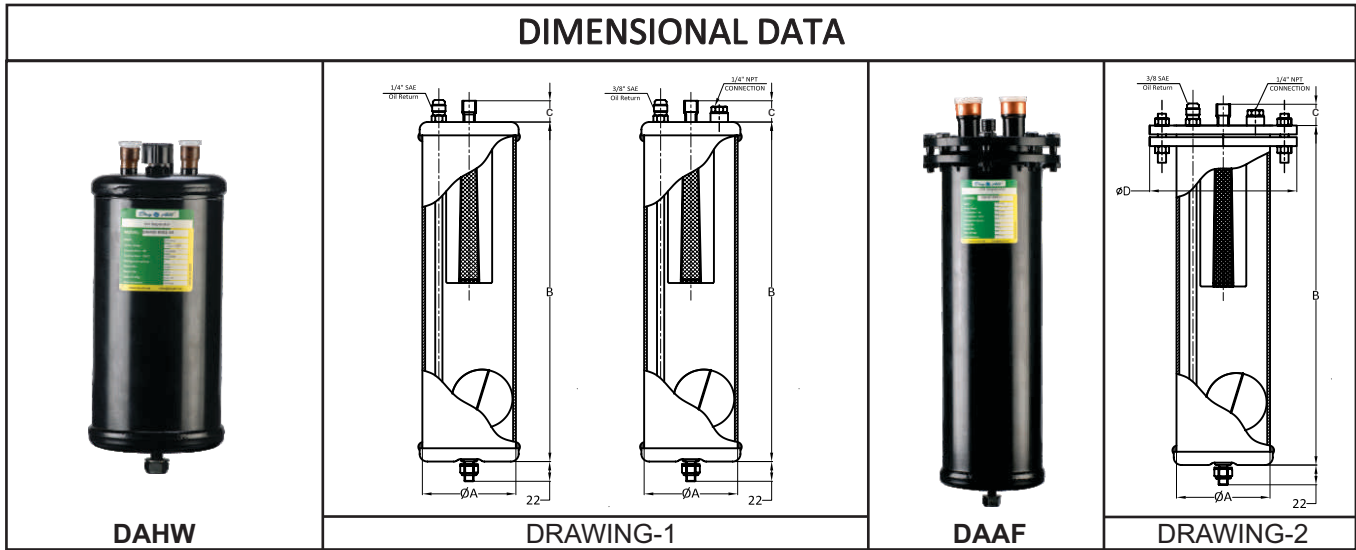
SR. NO	MODEL NO	INTERNAL VOLUME (CAPACITY) LITERS	PUMP DOWN CAPACITY (Kg)	CONNECTION SIZES			DIMENSIONS								MOUNTING OPTIONS	REFER DRG. NO.	NPT CONN.	LIQUID INDICATOR
				INLET	OUTLET	ROTOLOCK VALVE	ØA		B		C		D					
							mm	inch	mm	inch	mm	inch	mm	inch				
1	LRRVD-47-210-3S	2	1.84	3/8" ODF	1"-14 UNS \ 3/8" ODF	120	4.72	210	8.27	233	9.17	35	1.38	M10 X 1.5 BOLT & NUT	1	NA	NA	
2	LRRVD-59-270-4S	4	3.69	1/2" ODF	1"-14 UNS \ 1/2" ODF	150	5.91	270	10.63	293	11.54	35	1.38		2	1/4"		
3	LRRVD-70-240-5S	6	5.53	5/8" ODF	1-1/4"-12 UNF \ 5/8" ODF	180	7.09	240	9.45	270.3	10.64	40.2	1.58					
4	LRRVD-70-300-5S	8	7.37	5/8" ODF	1-1/4"-12 UNF \ 5/8" ODF	180	7.09	300	11.81	330.3	13.00	40.2	1.58					
5	LRRVD-86-309-5S	10	10.35	5/8" ODF	1-1/4"-12 UNF \ 5/8" ODF	219	8.60	309	12.17	340	13.39	40.2	1.58	BRACKET	3			
6	LRRVD-86-349-6S	12	12.42	3/4" ODF	1-1/4"-12 UNF \ 3/4" ODF	219	8.60	349	13.74	380	14.96	45	1.77					



**LRRVD-47-210-3S**

→ Liquid Refrigerant Receiver Vertical Deep Draw Type

IMAGE, DRAWING & MODEL AVAILABLE



SR.NO	MODEL	CONNECTION SIZE	OIL RETURN CONNECTION	DIMENSION								MOUNTING DETAIL	OIL CHARGE AMOUNT	REFER DRAWING NO
				ØA		B		C		D				
		IN & OUT	mm	Inch	mm	Inch	mm	Inch	mm	Inch	mm			

### HERMETIC WELDED TYPE

1	DAHW-5582-3S	3/8" ODF	1/4" SAE	101.6	4	160	6.3	26	1.02	NA	NA	M10 X 1.5 BOLT WITH WASHER & NUT	500 ml	1
2	DAHW-5582-4S	1/2" ODF	3/8" SAE	101.6	4	250	9.84	37	1.46					1
3	DAHW-5585-5S	5/8" ODF		101.6	4	297	11.69	38	1.50					
4	DAHW-5587-7S	7/8" ODF		101.6	4	344	13.54	37	1.46					
5	DAHW-5588-9S	1-1/8" ODF		101.6	4	375	14.76	37	1.46					

### ACCESSIBLE BOLTED FLANGE TYPE

1	DAAF-5885-5S	5/8" ODF	3/8" SAE	101.6	4	421	16.57	37	1.46	145	5.71	M10 X 1.5 BOLT WITH WASHER & NUT	500 ml	2
2	DAAF-5887-7S	7/8" ODF		101.6	4	421	16.57	37	1.46	145	5.71			
3	DAAF-5888-9S	1-1/8" ODF		101.6	4	503	19.80	37	1.46	145	5.71			

### Maximum Capacity of Refrigerant at Evaporator Temperature.

MODEL	R-134a				R-22/R-407C				R-404A/R-502/R-507			
	-40°F/-40°C		+40°F/4°C		-40°F/-40°C		+40°F/4°C		-40°F/-40°C		+40°F/4°C	
	Tons	kw	Tons	kw	Tons	kw	Tons	kw	Tons	kw	Tons	kw
DAHW - 5582 - 3S	0.8	2.81	1.0	3.51	1.0	3.51	1.5	5.27	1.0	3.51	1.5	5.27
DAHW - 5582 - 4S	1.2	4.2	1.8	6.3	1.5	5.25	2	7	1.5	5.25	2	7
DAHW - 5585 - 5S	3.3	11.55	4.5	15.75	4.5	15.75	5.5	19.25	4	14	5.5	19.25
DAHW - 5587 - 7S	4.8	16.8	6.5	22.75	7	24.5	8	28	6.5	22.75	8.5	29.75
DAHW - 5588 - 9S	6.5	22.75	8.5	29.75	9	31.5	11	38.5	8.5	29.75	11	38.5
DAAF - 5885 - 5S	3.3	11.55	4.6	16.1	4.7	16.45	5.6	19.6	4.76	16.66	5.6	19.6
DAAF - 5887 - 7S	4.8	16.8	6.7	23.45	7	24.5	8.5	29.75	7.15	25.025	8.5	29.75
DAAF - 5888 - 9S	6.5	22.75	8.7	30.45	9.5	33.25	11	38.5	9.52	33.32	11.2	39.2

